

|             |  |
|-------------|--|
| 1/5         | BENZIN - SICHELMÄHER mit RADANTRIEB            |
| 2001        | PETROL LAWN MOWER with SELF-DRIVE              |
| Rev20060112 | Tondeuses à gazon avec ROUES MOTRICES ARRIÈRES |



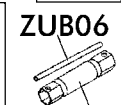
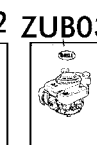
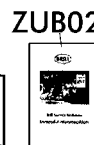
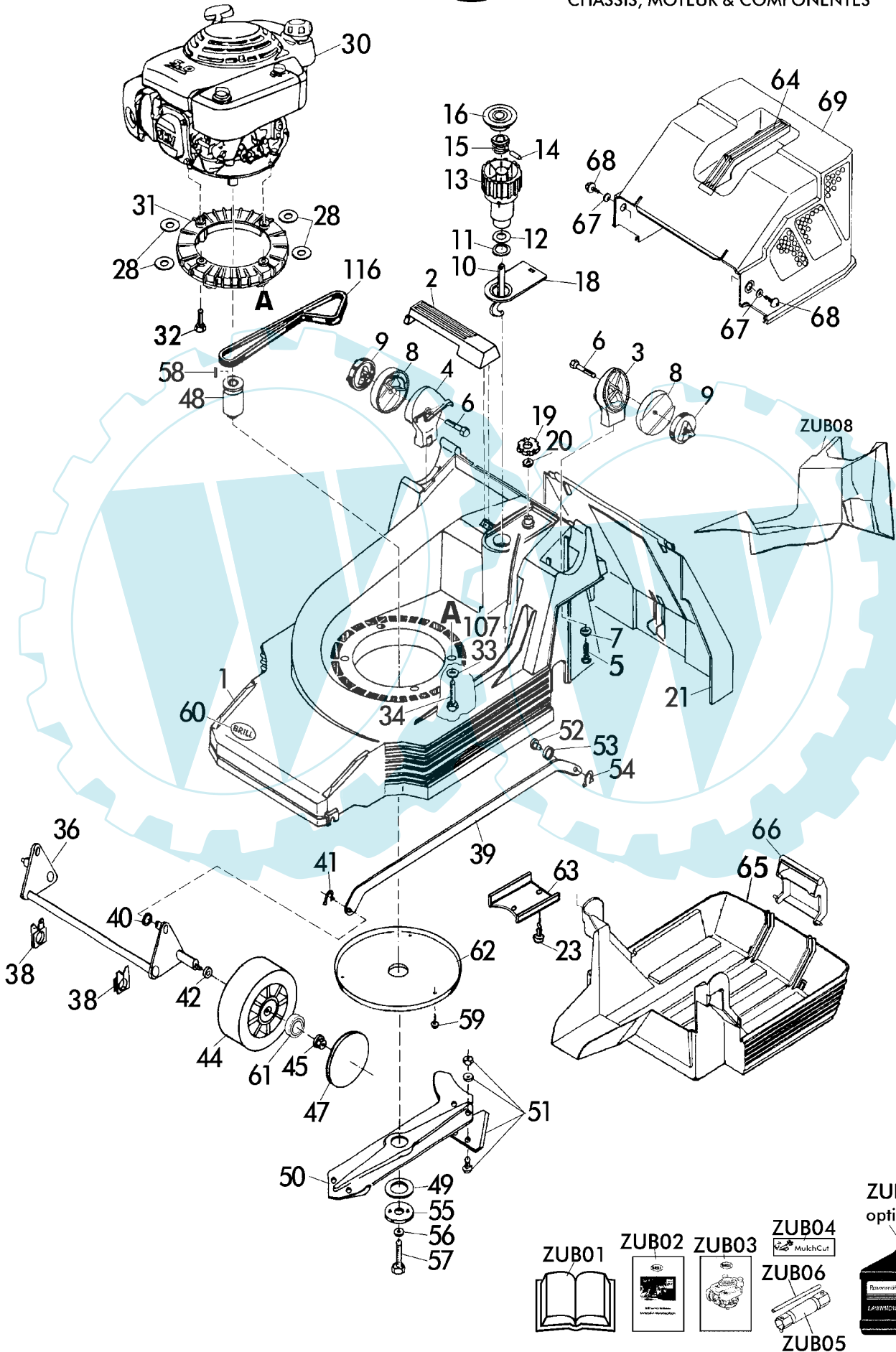
**46 BR OHC MulchCut - Art.61007**

ab Baujahr 2001

**46 BR OHC MulchCut - Art.61007**  
ab Baujahr 2001




GEHÄUSE, MOTOR & ANBAUTEILE  
CHASSIS, MOTOR & COMPONENTS  
CHASSIS, MOTEUR & COMPONENTES



ZUB07 optional



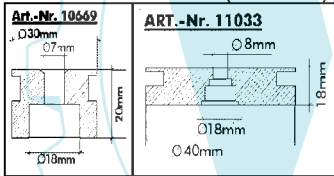
| 2/5                          |                                      | BENZIN - SICHELMÄHER mit RADANTRIEB            |                             |  | 46 BR OHC <i>MulchCut</i> - Art.61007 |  |
|------------------------------|--------------------------------------|--|-----------------------------|--|---------------------------------------|--|
| 2001                         |                                      | PETROL LAWN MOWER with SELF-DRIVE              |                             |  | ab Baujahr 2001                       |  |
| Rev20060112                  |                                      | Tondeuses à gazon avec ROUES MOTRICES ARRIÈRES |                             |  |                                       |  |
| Bild Nr.<br>REF.N°<br>POS.N° | BEST.-NR.<br>PART-NO.<br>NO d. PIECE | BEZEICHNUNG                                    | DESCRIPTION                 | Anzahl<br>Qty.<br>Qte.   |                                       |  |
| 1                            | 11616                                | GEHÄUSE 46 BR                                  | CHASSIS 46 BR               | 1  |                                       |  |
| 2                            | 08602                                | GEHÄUSEGRIFF                                   | CHASSIS GRIP                | 1  |                                       |  |
| 3                            | 10986                                | DREHGELENK LKS                                 | Swivel joint left           | 1  |                                       |  |
| 4                            | 10987                                | DREHGELENK,RECHTS                              | Swivel joint right          | 1  |                                       |  |
| 5                            | 06807                                | 6KTBS B6,3*38 DIN7976 VERZ                     | SCREW DIN 7976              | 2  |                                       |  |
| 6                            | 09316                                | SKT-SCHRAUBE M8*60 DIN931-88 VERZINKT          | SCREW DIN 931-M8X60         | 2  |                                       |  |
| 7                            | 07500                                | SCHEIBE A8,4*25*3 AEHNL,DIN902                 | WASHER                      | 2  |                                       |  |
| 8                            | 10985                                | RASTSCHIEBE                                    | Self-aligning washer        | 2  |                                       |  |
| 9                            | 08287                                | GELENKSPANNGRIF                                | LINK MOUNTING GRIP          | 2  |                                       |  |
| 10                           | 10745                                | ZUGSTANGE 46 BR GEP RAL7021                    | Tension rod 46 BR           | 1  |                                       |  |
| 11                           | 08610                                | LAGERSCHIEBE                                   | BEARING WASHER              | 1  |                                       |  |
| 12                           | 08781                                | O-RING 36x2                                    | O-RING 36x2                 | 1  |                                       |  |
| 13                           | 13252                                | VERSTELLKNOPF, LOSE                            | ADJUSTING BUTTON            | 1  |                                       |  |
| 14                           | 08607                                | ZYLINDERSTIFT DIN 7 - 10x22                    | PIN DIN 7                   | 1  |                                       |  |
| 15                           | 08606                                | VERSTELLBOLZEN                                 | ADJUSTING BOLT              | 1  |                                       |  |
| 16                           | 08609                                | DECKEL, ROT                                    | CAP                         | 1  |                                       |  |
| 18                           | 08276                                | BLENDE, BEDRUCKT                               | ADJUSTMENT COVER            | 1  |                                       |  |
| 19                           | 10442                                | SKALENRAD, BESCHRIFTET 30-80                   | SCALE WHEEL 40/46           | 1  |                                       |  |
| 20                           | 08782                                | O-RING 12,1x2,7                                | O-RING 12,1x2,7             | 1  |                                       |  |
| 21                           | 11619                                | HECKKLAPPE RAL 6001                            | Rear flap                   | 1  |                                       |  |
| 23                           | 06823                                | SCHRAUBE DIN 7981-4,2x22                       | SCREW DIN 7981              | 3  |                                       |  |
| 28                           | 09681                                | PA-ISOLIERSCHEIBE 0,2                          | WASHER PA                   | 5  |                                       |  |
| 30                           | 11632                                | V-Motor GCV 160, 5,5 HP                        | V-Motor GCV 160, 5,5 HP     | 1  |                                       |  |
| 31                           | 10689                                | FLANSCHRING 46 BR GEFRÄST                      | ENGINE BASE ASSY.           | 1  |                                       |  |
| 32                           | 09093                                | TORX-TAPTITE 3/8"*11/4" VERZ ,                 | SCREW, TORX                 | 3  |                                       |  |
| 33                           | 07500                                | SCHEIBE S 9021-A8,4x25x3                       | WASHER                      | 5  |                                       |  |
| 34                           | 09893                                | SKT-SCHRAUBE M8*25 MIT BUND AEHNL,DIN          | HEX HD SCREW                | 5  |                                       |  |
| 36                           | 10975                                | VORDERACHSE KPL. 40/46                         | FRONT AXLE ASSY.            | 1  |                                       |  |
| 38                           | 09028                                | LAGERSCHALE VORNE                              | BEARING PLATE 78460         | 2  |                                       |  |
| 39+52                        | 10690                                | VERBINDUNGSSTANGE 46 KPL.                      | CONNECTION ROD              | 1  |                                       |  |
| 40                           | 08399                                | FESCH B8,4*15*0,2 DIN137 VERZ                  | LOCK WASHER                 | 1  |                                       |  |
| 41                           | 10574                                | SI-SCHIEBE DIN 6799-6x0,7                      | CIRCLIP DIN 6799-6x0,7      | 2  |                                       |  |
| 42                           | 08319                                | TELLERFEDER DIN 2093-C25                       | DISC SPRING D-2093          | 2  |                                       |  |
| 44                           | 08273                                | LAUFRAD 165 VORNE KPL.                         | FRONT WHEEL D=165 UNIT CPL. | 2  |                                       |  |
| 45                           | 08427                                | RIPPMUTTER M8-KI.10                            | NUT M8,KL,8                 | 2  |                                       |  |
| 47                           | 08600                                | RADKAPPE VORNE 165                             | WHEEL CAP 165               | 2  |                                       |  |
| 48                           | 10663                                | MESSERFLANSCH 46 BR                            | Blade flange                | 1  |                                       |  |
| 49                           | 08740                                | REIBSCHEIBE (42BK-46B)                         | FRICTION DISC               | 1  |                                       |  |
| 50-51                        | 09331                                | MESSERTRÄGER 46 CM ,KPL.                       | CUTTER BAR ASSY. 46         | 1  |                                       |  |
| 51                           | 70002                                | DREIECKMESSERSATZ,KPL.                         | V-SHAPED BLADES ASSY.       | 1  |                                       |  |
| 52                           | 09664                                | BUNDBOLZEN VERZ.                               | BOLT                        | 1  |                                       |  |
| 53                           | 09674                                | SCHEIBE DIN 6902-A7,4                          | WASHER A7,4 DIN6902         | 1  |                                       |  |
| 54                           | 10574                                | SI-SCHIEBE DIN 6799-6x0,7                      | CIRCLIP DIN 6799-6x0,7      | 1  |                                       |  |
| 55                           | 08654                                | SPANNSCHEIBE, LACK.                            | TENSION WASHER              | 1  |                                       |  |
| 56                           | 06460                                | SCHEIBE DIN 125-A10,5                          | WASHER                      | 1  |                                       |  |
| 57                           | 07484                                | SKT-SCHRAUBE S-933-38112                       | SCREW 3/8"-24UNF11/2"       | 1  |                                       |  |
| 58                           | 02713                                | WOODRUFF-KEIL                                  | COTTER PIN                  | 1  |                                       |  |
| 59                           | 06820                                | SCHRAUBE DIN 7981-4,2X13                       | SCREW DIN 7981              | 3  |                                       |  |
| 60                           | 10571                                | BRILL-LOGO                                     | Brill-Logo plate            | 1  |                                       |  |
| 61                           | 08635                                | LAUFRADLAGER, LOSE                             | BALL BEARING                | 4  |                                       |  |
| 62                           | 10682                                | ABDECKTOPFSCHIEBE 46 BR                        | Cover plate                 | 1  |                                       |  |

| <b>3/5</b>                   | <b>BENZIN - SICHELMÄHER mit RADANTRIEB</b>     |                                     | <b>46 BR OHC MulchCut - Art.61007</b> |                        |
|------------------------------|--|-------------------------------------|---------------------------------------|------------------------|
| 2001                         | PETROL LAWN MOWER with SELF-DRIVE              |                                     | ab Baujahr 2001                       |                        |
| Rev20060112                  | Tondeuses à gazon avec ROUES MOTRICES ARRIÈRES |                                     |                                       |                        |
| Bild Nr.<br>REF.N°<br>POS.N° | BEST.-NR.<br>PART-NO.<br>NO d. PIECE           | BEZEICHNUNG                         | DESCRIPTION                           | Anzahl<br>Qty.<br>Qte. |
| 63                           | 10679  | ABDECKUNG 46 BR GEP.                | Protection Cover                      | 1                      |
| 64                           | 08252  | TRAGEGRIF, LOSE                     | CONNECTION HOUSING 38                 | 1                      |
| 65                           | 11606  | FANGBOX-UNTERTEIL 46                | Lower grass box                       | 1                      |
| 66                           | 08786  | KLEMMGRIF RAL2002, LOSE             | CLAMP GRIP RAL 2002                   | 1                      |
| 67                           | 06839  | SCHEIBE DIN 9021-A6,4               | WASHER DIN 9021-A 6,4                 | 2                      |
| 68                           | 08667  | SCHRAUBE DIN 7981-B6,3x19           | SCREW B6,3*19 DIN7981-ST              | 2                      |
| 69                           | 11605  | FANGBOX-OBERTEIL                    | Upper grass box                       | 1                      |
| 107                          | 09977  | BOWDENZUG / RADANTRIEB KPL.         | CONDUIT WIRE 78545                    | 1                      |
| 116                          | 10658  | POLY-V-RIEMEN J915/2-360J2          | Poly-V-Belt                           | 1                      |
| <b>ZUBEHÖR</b>               |  | <b>ACCESSORIES</b>                  |                                       |                        |
| ZUB01                        | 11800  | GEBRAUCHSANWEISUNG Mulch Cut Benzin | Instruction for use Petrol MulchCut   | 1                      |
| ZUB02                        | 00563  | BRILL-SERVICE-VERZEICHNIS           | SERVICE - BOOKLET D                   | 1                      |
| ZUB03                        | 11787  | Motorenanleitung GCV 160            | Motor instruction GCV160              | 1                      |
| ZUB04                        | 11963  | Aufkleber Mulch-Cut                 | Label Mulch-Cut                       | 1                      |
| ZUB05                        | 06574  | STECKSCHLÜSSEL DIN 659              | BOX SPANNER                           | 1                      |
| ZUB06                        | 06591  | DREHSTIFT DIN 900-5x100             | PIN DIN 900                           | 1                      |
| ZUB07                        | 76012  | RASENMÄHER MOTOROEL optional        | ENGINE OIL BOTTLE optional            | 1                      |
| ZUB08                        | 11342  | Mulchereinsatz 46                   | Mulch box insert 46                   | 1                      |

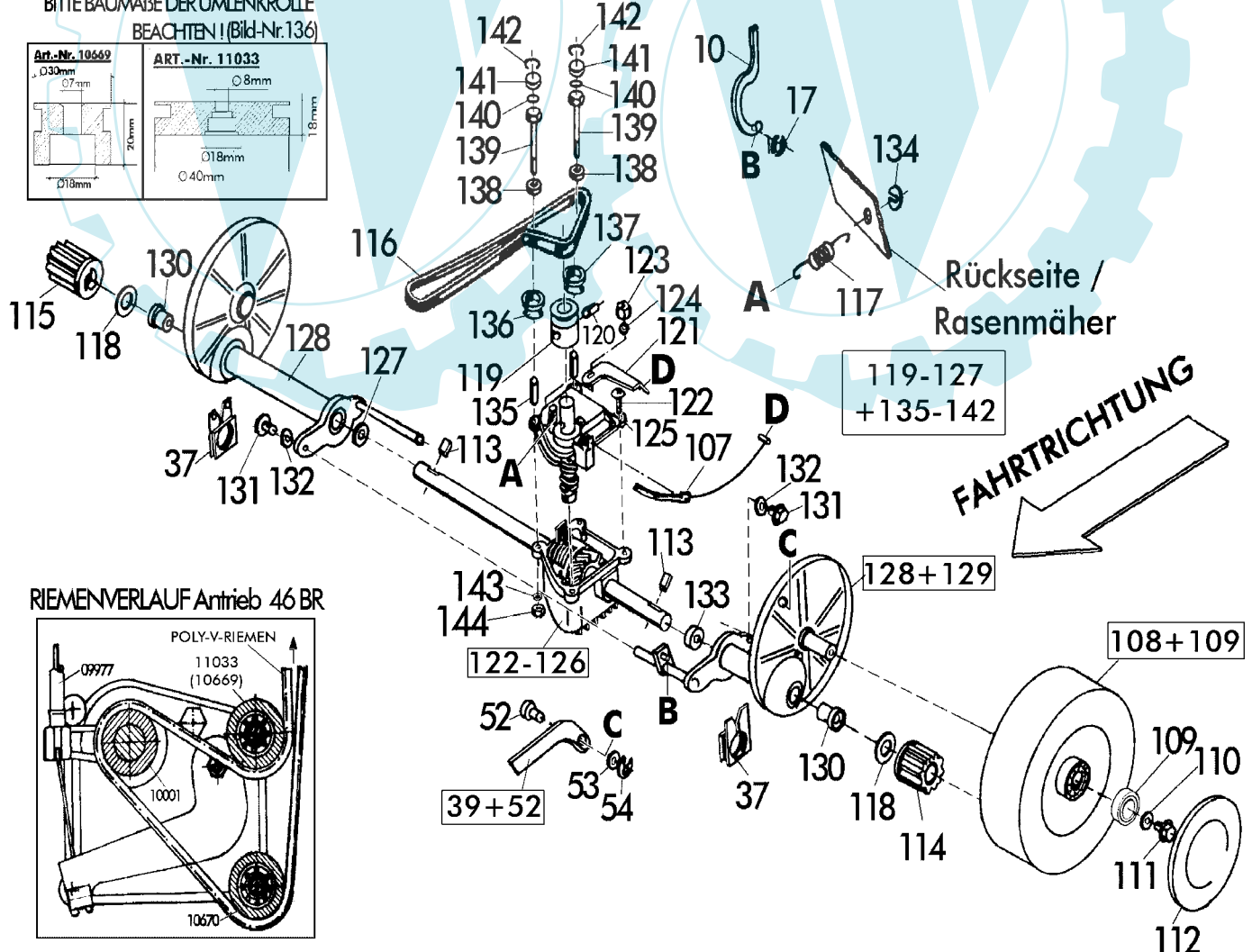
**46 BR OHC MulchCut**  
**Art.61007**

2001

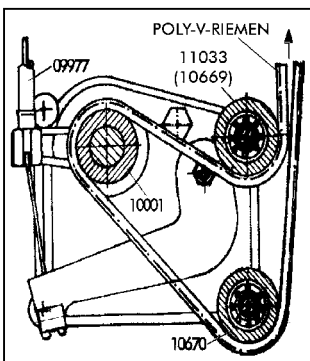
BITTE BAUMASSE DER UMLENKROLLE  
BEACHTEN! (Bild-Nr.136)



RADANTRIEB komplett  
WHEEL DRIVE Components  
ENTRAÎNEMENT ROUES



**RIEMENVERLAUF Antrieb 46 BR**

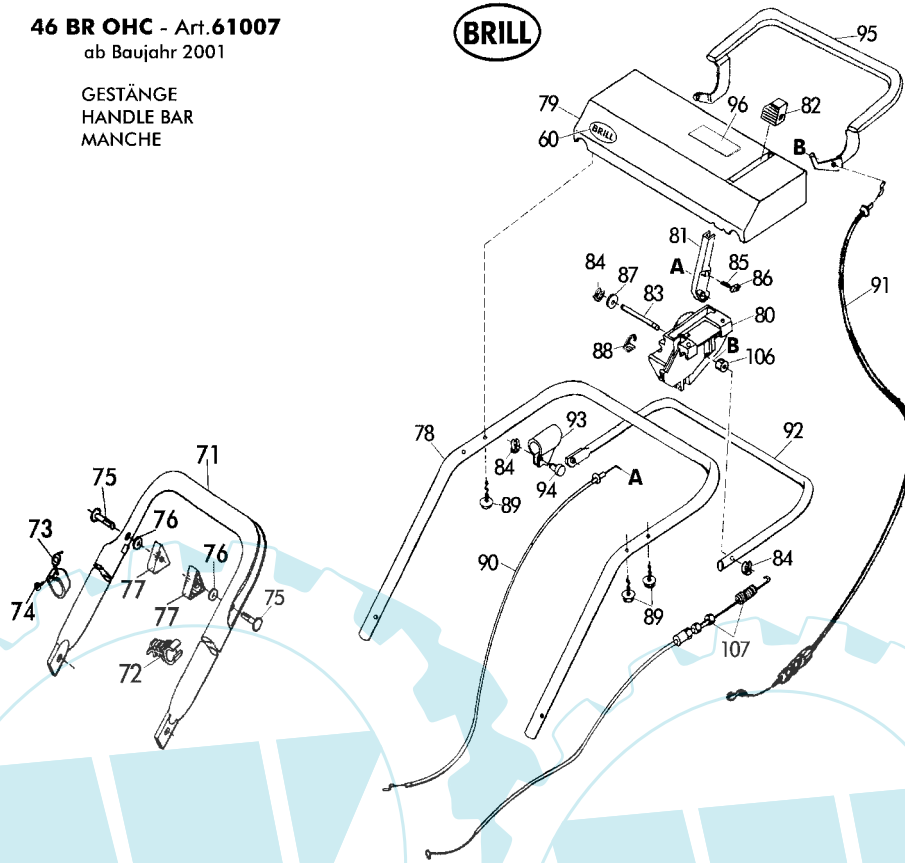


| 4/5                          |                                      | BENZIN - SICHELMÄHER mit RADANTRIEB            |                                |  | 46 BR OHC <i>MulchCut</i> - Art.61007 |  |
|------------------------------|--------------------------------------|--|--------------------------------|--|---------------------------------------|--|
| 2001                         |                                      | PETROL LAWN MOWER with SELF-DRIVE              |                                |  | ab Baujahr 2001                       |  |
| Rev20060112                  |                                      | Tondeuses á gazon avec ROUES MOTRICES ARRIÉRES |                                |  |                                       |  |
| Bild Nr.<br>REF.N°<br>POS.N° | BEST.-NR.<br>PART-NO.<br>NO d. PIECE | BEZEICHNUNG                                    | DESCRIPTION                    | Anzahl<br>Qty.<br>Qte.   |                                       |  |
| 10                           | 10745                                | ZUGSTANGE 46 BR RAL7021                        | Tension rod 46 BR              | 1  |                                       |  |
| 17                           | 10574                                | SI-SCHEIBE DIN 6799-6x0,7                      | Circlip                        | 1  |                                       |  |
| 37                           | 10759                                | LAGERSCHALE, HINTEN                            | Bearing case                   | 2  |                                       |  |
| 39+52                        | 10690                                | VERBINDUNGSSTANGE 46 KPL.                      | Connection rod 46 assy         | 1  |                                       |  |
| 52                           | 09664                                | BUNDBOLZEN VERZ.                               | Bolt                           | 1  |                                       |  |
| 53                           | 09674                                | SCHEIBE DIN 6902-A7,4                          | Washer                         | 1  |                                       |  |
| 54                           | 10574                                | SI-SCHEIBE DIN 6799-6x0,7                      | Circlip                        | 1  |                                       |  |
| 107                          | 09977                                | BOWDENZUG / RADANTRIEB KPL.                    | CONDUIT WIRE 78545             | 1  |                                       |  |
| 108+109                      | 11299                                | ANTRIEBSRAD KPL.M.KUGELLAGERN                  | DRIVE WHEEL CPL.W.BALL BEARING | 2  |                                       |  |
| 109                          | 02388                                | KUGELLAGER MARKES KL-4,14                      | BALL BEARING KL-4,14           | 2  |                                       |  |
| 110                          | 11329                                | KLEMMRING SBF18                                | CLAMP SBF18                    | 2  |                                       |  |
| 111                          | 09199                                | TT-SCHRAUBE M6x16                              | TT - SCREW S 06163             | 2  |                                       |  |
| 112                          | 08601                                | RADKAPPE, HINTEN 195                           | WHEEL CAP 195                  | 2  |                                       |  |
| 113                          | 14199                                | SPERRHAKEN                                     | BLOCK-CLAMP                    | 2  |                                       |  |
| 114                          | 10758                                | SPERRZAHNRAD RTS./LKS.                         | Ratchet wheel R/L              | 1  |                                       |  |
| 115                          | 10758                                | SPERRZAHNRAD RTS./LKS.                         | Ratchet wheel R/L              | 1  |                                       |  |
| 116                          | 10658                                | POLY-V-RIEMEN J660/2                           | Poly-V-Belt                    | 1  |                                       |  |
| 117                          | 09996                                | ZUGFEDER 78545                                 | SPRING                         | 1  |                                       |  |
| 118                          | 00930                                | ANLAUFSCHEIBE (REAL 33)                        | WASHER                         | 2  |                                       |  |
| 119                          | 10001                                | POLY-V-RIEMENSCHLEIFE                          | Poly-V-Pulley                  | 1  |                                       |  |
| 120                          | 10365                                | SPANNHÜLSE DIN 1481-5x32                       | Clamping sleeve                | 1  |                                       |  |
| 122-126                      | 10971                                | GETRIEBE KOMPL. GEBOHRT                        | GEAR BOS ASSY.                 | 1  |                                       |  |
| 122                          | 04896                                | SCHRAUBE V2A 5x16                              | Screw                          | 1  |                                       |  |
| 123                          | 06506                                | SKT-MUTTER D0555-M5                            | Nut                            | 1  |                                       |  |
| 124                          | 06467                                | U-SCHEIBE DIN 125-5,3                          | Washer                         | 1  |                                       |  |
| 127                          | 06461                                | SCHEIBE DIN 125-A13                            | WASHER DIN 125-A13             | 1  |                                       |  |
| 128+129                      | 10521                                | HÜLLROHR 78545 LG.& KRZ.                       | Cladding tube assy.            | 1  |                                       |  |
| 130                          | 10063                                | LAGERBUCHSE 12,2                               | Bush bearing                   | 2  |                                       |  |
| 131                          | 06635                                | SKT-SCHRAUBE DIN 933-5x16                      | SCREW HEX.HD.                  | 2  |                                       |  |
| 132                          | 10441                                | SICHERUNGSSCHEIBE S5                           | Circlip                        | 2  |                                       |  |
| 133                          | 10000                                | RING 78545                                     | RING 78545                     | 1  |                                       |  |
| 134                          | 10196                                | SCHEIBE ZUR ZUGFEDER                           | Washer                         | 1  |                                       |  |
| 135                          | 10700                                | LAGERSÄULE, LOSE (46 BR)                       | Bearing tube                   | 2  |                                       |  |
| 136                          | 11033                                | UMLENKROLLE 1(!)                               | Guide roller                   | 1  |                                       |  |
| 137                          | 10670                                | UMLENKSCHLEIFE 2                               | Guide washer                   | 1  |                                       |  |
| 138                          | 10666                                | KUGELLAGER 619/2 2Z                            | Ball bearing                   | 2  |                                       |  |
| 139                          | 11102                                | SKT-SCHRAUBE DIN 931-5X80                      | Screw M5*80 DIN931 8,8         | 2  |                                       |  |
| 140                          | 08782                                | O-RING 12,1x2,7                                | O-RING 12,1x2,7                | 2  |                                       |  |
| 141                          | 10687                                | ABDECKSCHEIBE Z.RADANTR.46BR                   | Cover                          | 2  |                                       |  |
| 142                          | 10757                                | SI-RING DIN 472-18X1                           | Circlip                        | 2  |                                       |  |
| 143                          | 08399                                | SCHEIBE DIN 137                                | Washer                         | 2  |                                       |  |
| 144                          | 06682                                | SI-MUTTER DIN 985-5                            | Safety Nut                     | 2  |                                       |  |
| 119-127<br>+135-142          | 10760                                | ANTRIEB 46 BR KPL. (TYP B)                     | Wheel drive assy cpl 46 BR     | 1  |                                       |  |

|             |  |              |                                       |
|-------------|--|--------------|---------------------------------------|
| <b>5/5</b>  | <b>BENZIN - SICHELMÄHER mit RADANTRIEB</b>     | <b>BRILL</b> | <b>46 BR OHC MulchCut - Art.61007</b> |
| 2001        | PETROL LAWN MOWER with SELF-DRIVE              |              |                                       |
| Rev20060112 | Tondeuses à gazon avec ROUES MOTRICES ARRIÈRES |              |                                       |

**46 BR OHC - Art.61007**  
ab Baujahr 2001

GESTÄNGE  
HANDLE BAR  
MANCHE



| Bild Nr.<br>REF.N°<br>POS.N° | BEST.-NR.<br>PART-NO.<br>NO d. PIECE | BEZEICHNUNG                     | DESCRIPTION                | Anzahl<br>Qty.<br>Qte. |
|------------------------------|--------------------------------------|---------------------------------|----------------------------|------------------------|
| 60                           | 10571                                | BRILL - LOGO                    | Brill-Logo plate           | 1                      |
| 71                           | 10993                                | GEST.-UT, 40/46 GEPULVERT RAL70 | Lower handle bar 40/46     | 1                      |
| 72                           | 08787                                | KLEMMHALTER                     | CLAMP BRACKET              | 1                      |
| 73                           | 10953                                | UMLENKHALTER                    | Cable guide                | 1                      |
| 74                           | 08722                                | SCHRAUBE DIN 7981-3,5x13        | SCREW                      | 1                      |
| 75                           | 09191                                | FORMSCHRAUBE 8x47               | SCREW                      | 2                      |
| 76                           | 06465                                | SCHEIBE DIN 125-A8,4            | WASHER A8,4 DIN125-ST VERZ | 2                      |
| 77                           | 08288                                | HOLMSpanNGRIFF                  | Tension Grip               | 2                      |
| 78                           | 09398                                | GESTÄNGEHOLM-OBERTEIL LOSE      | HANDLE UPPER               | 1                      |
| 79                           | 09077                                | BEDIENPANEL, LOSE (NEUTRAL)     | CONTROL THROTTLE           | 1                      |
| 80                           | 10064                                | LAGERBOCK 78545, GEBOHRT        | Bearing case               | 1                      |
| 81                           | 09079                                | STELLTEIL, SCHWARZ              | SHIFT LEVER                | 1                      |
| 82                           | 09080                                | KNAUF Z. STELLTEIL              | SHIFT LEVER KNOB           | 1                      |
| 83                           | 09998                                | BOLZEN, VERZ. (BR, BHR)         | Bolt                       | 1                      |
| 84                           | 08656                                | KL-SICHERUNG                    | KL-SNAP RING               | 3                      |
| 85                           | 09082                                | DRUCKFEDER LOSE                 | COMPRESSION SPRING         | 1                      |
| 86                           | 09081                                | DRUCKSTÜCK LOSE                 | COMPRESSION CAP            | 1                      |
| 87                           | 06464                                | SCHEIBE DIN 125-A6,4            | WASHER                     | 1                      |
| 88                           | 10584                                | KLAMMER Z. GASZUG               | Clamp                      | 1                      |
| 89                           | 09083                                | PT-SCHRAUBE S-1447-K 60x25      | PT-SCREW                   | 3                      |
| 90                           | 09719                                | BOWDENZUG -GAS- 46OHV/OHC       | CONDUIT WIRE ASSY.         | 1                      |
| 91                           | 10456                                | BOWDENZUG / BREMSE 46           | Bowden cable Brake         | 1                      |
| 92                           | 10038                                | KUPPLUNGSBÜGEL 78545 GEP.       | Bracket /clutch            | 1                      |
| 93                           | 09106                                | BÜGELLAGER, SCHWARZ             | CONNECTION LINK            | 1                      |
| 94                           | 09982                                | BOLZEN, VERZ.                   | BOLT                       | 1                      |
| 95                           | 09985                                | BREMSBÜGEL                      | BRAKE LEVER ASSY           | 1                      |
| 96                           | 10657                                | BEDIENUNGS-AUFKLEBER            | Label                      | 1                      |
| 106                          | 10161                                | ABSTANDSBUCHSE 78545            | Spacer                     | 1                      |
| 107                          | 09977                                | BOWDENZUG / RADANTRIEB KPL.     | CONDUIT WIRE 78545         | 1                      |